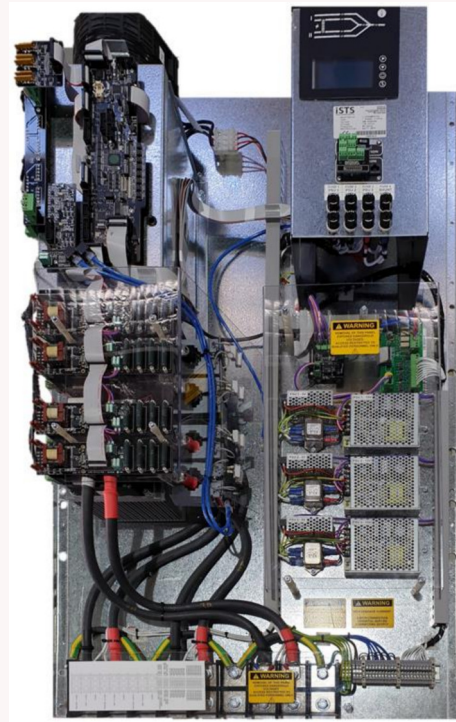


Static Power's panel mount iSTS are dedicated to applications requiring a high level of reliability. iSTS P is designed to be integrated in 3rd party switchboard or enclosure and is adaptable to all specific requirements. Contact us for more information on iSTS P.

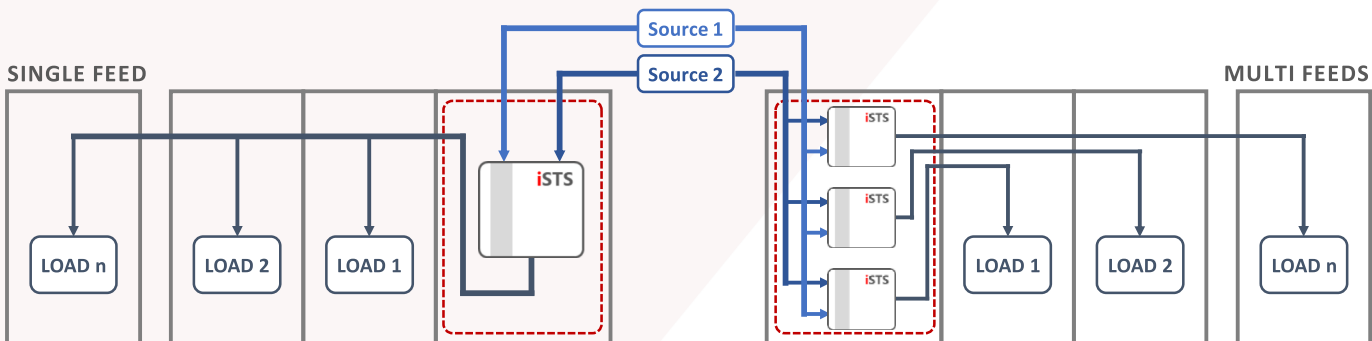
**Key features:**

- True solid state, Break-Before-Make transfer
- Transfer time: <1ms to ¼ cycle
- Single or Multi-feeds
- Adaptable dimensions
- Adaptable Inputs/output connexions
- w/o protections or Customer's preferred
- Automation



**Single or Multi-Feeds:**

iSTS P can be provided as a single feed panel – one iSTS supplying many loads – or, to reduce further risk of failure, as a multi-feeds panel – many iSTS supplying one load each



| Current rating  | 63A   | 250A   | 630A  | 1600A   |
|---|---|--|---|---|
| <b>Voltage rating</b>   | All region-specific voltages selectable $\pm 10\%$  |  |   |   |
| <b>Frequency</b>  | 50Hz and 60Hz, $\pm 10\%$ - Auto detection  |  |   |   |
| <b>Type</b>   | 1-Phase/2-Pole or 3-Phase/3 or 4-Pole   |  |   |   |
| <b>Protection</b>   | Fuseless, by circuit breakers   |  |   |   |
| <b>Loading</b>  | 0 - 100% @ 45°C ambient   |  |   |   |
| <b>Device ratings (1 cycle)</b>   | 700 <sub>ARMS</sub> @10kA   | 1300 <sub>ARMS</sub> @20kA                                     | 1750 <sub>ARMS</sub> @28kA                                      | 2650 <sub>ARMS</sub> @34kA                                      |
| <b>Overload @40°C ambient</b>   | 125% for 10min<br>150% for 30s<br>500A for 1s<br>2kA for 0.1s                                   | 125% for 10min<br>150% for 30s<br>1kA for 1s<br>7.2kA for 0.1s | 125% for 10min<br>150% for 30s<br>3.5kA for 1s<br>10kA for 0.1s | 125% for 10min<br>150% for 30s<br>5kA for 1s<br>12.5kA for 0.1s |
| <b>Fault current setting</b>  | >350% peak with load fault transfer inhibit   |  |   |   |
| <b>Safe install environment</b><br><i>*Higher Fault Current available</i> | 10kA for 1 cycle*   | 20kA for 1 cycle*  | 28kA for 1 cycle*   | 35kA for 1 cycle*   |
| <b>Power factor</b>   | No practical limit  |  |   |   |
| <b>Max THDV</b>   | 10% - Max allowable source voltage distortion   |  |   |   |
| <b>Crest factor</b>   | 3.5 : 1   |  |   |   |
| <b>dV/dt max</b>  | 800V/ $\mu$ s   |  |   |   |
| <b>MTBF</b>   | 800,000h  |  |   |   |
| <b>Maintenance bypass</b>   | Integrated in Panel or without  |  |   | Without or External to Panel                                    |
| <b>Maintenance Bypass Type</b>  | 5 Mechanically interlocked circuit breakers   |  |   |   |
| <b>Source and Output Isolation</b>  | Integrated in Panel or without  |  | Without or External to Panel                                    |   |
| <b>Connexions</b>   | Terminals M8<br>Up to 95mm <sup>2</sup>   |  | Copper bars<br>Up to 2 x 120mm <sup>2</sup>                     | Copper bars<br>Up to 2 x 300mm <sup>2</sup>                     |
| <b>Cable Entry - Exit</b>   | Top or bottom   |  |   |   |
| <b>Transfer type</b>  | Break-Before-Make zero current transfer by Thyristors / SCR                                     |  |   |   |
| <b>Synchronous break time</b>   | Typically less than 1ms - Synchronous break time up to ¼ cycle                                  |  |   |   |
| <b>Detection</b>  | Digital: <1ms   |  |   |   |
| <b>Asynchronous break time</b>  | Settable 0ms, 10ms, 50ms or Vt proportional, 0° to 180°   |  |   |   |
| <b>Display</b>  | Bi-colour LED mimic decal with graphic backlit LCD display and information interface            |  |   | Colour 7" display and information interface                     |
| <b>Controls</b>   | Preferred supply selection, Source transfer selection and Alarm cancel button                   |  |   |   |
| <b>Contact</b>  | 2 Self wetting transfer control inputs and 5 Voltage free change-over status indicators, Form C |  |   |   |
| <b>Ethernet</b>   | HTTP, SNMP, MODBUS TCP, Email & NTP   |  |   |   |
| <b>Dimensions H x W x D in mm</b>   | 1Ph: H800 x W580 x D250<br>3Ph: H1000 x W580 x D250   | H1200 x W715 x D250  | H1600 x W760 x D300   | H1720 x W760 x D300   |
| <b>Weight</b>   | 1Ph: 60kg - 3Ph: 75kg   | 1Ph: 70kg - 3Ph: 100kg   | 1Ph: 80kg - 3Ph: 115kg  | 1Ph: 200kg - 3Ph: 245kg   |
| <b>Temperature</b>  | 0 – 45°C  |  |   |   |
| <b>IP Rating</b>  | IP00  |  |   |   |
| <b>Cooling</b>  | Redundant fans  |  |   |   |
| <b>Humidity @40°C ambient</b>   | 5 – 95% non-condensing  |  |   |   |
| <b>Applicable Standards</b>   | IEC 62310-1,2,3 - IEC 60950 - IEC 61000-6-1,2,3,4 – CE – RCM - UL Capable - RoHS                |  |   |   |
| <b>Standard warranty</b>  | 24 months offsite repair or replacement policy  |  |   |   |

Specifications are subject to change without notice